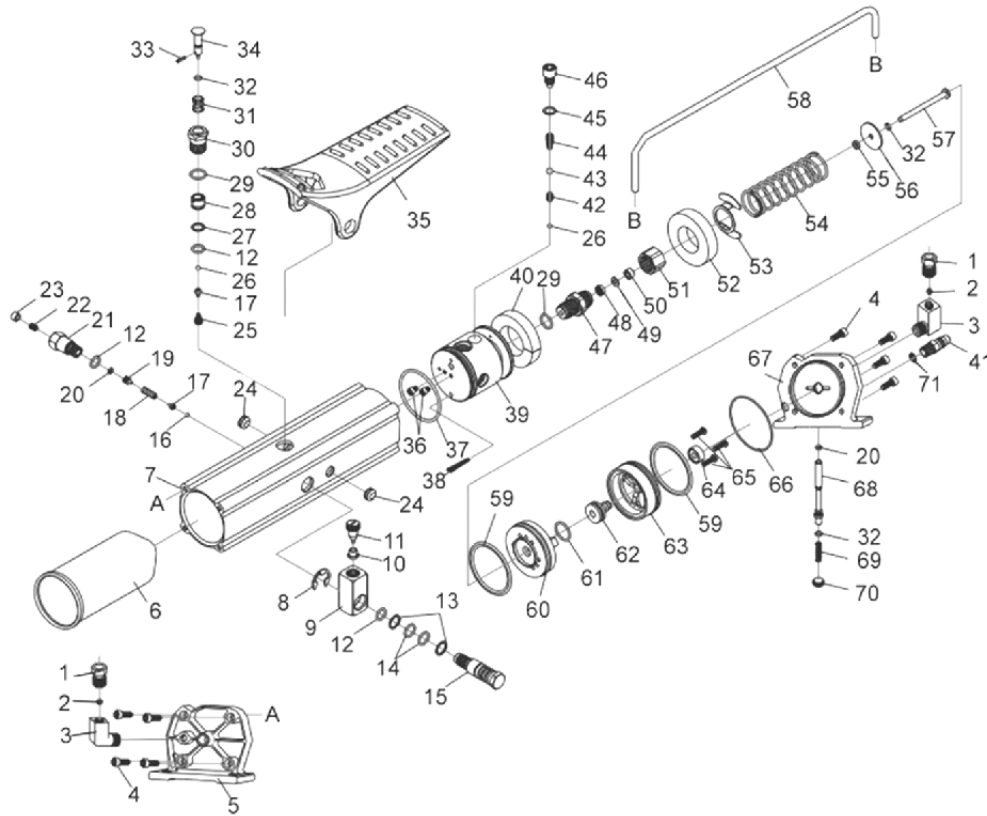




ZAP-40 & ZAP-62 Parts Breakdown

Toll Free: 1-800-579-8088 Web: www.zinko.com

REV 091807



Part #	Description
920040-01	NUT
920040-02	CAP
920040-03	COUPLER
920040-04	SCREW M6*16L
920040-05	CYLINDER TOP CAP
920040-06	AIR BAG
920040-07	ALUMINUM CYL. TUBE
920040-08	E-RING E-15
920040-09	CONNECTOR PLATE
920040-10	BUSHING
920040-11	SCREW
920040-12	O-RING P12
920040-13	BACKUP RING P14
920040-14	O-RING P14
920040-15	SCREW
920040-16	STEEL BALL 3/16"
920040-17	OVRLD. SPRING END CAP
920040-18	OVRLD. SPRING
920040-19	ADJ. VALVE BOLT
920040-20	O-RING P5
920040-21	ADJ. VALVE BASE
920040-22	SCREW
920040-23	BUSHING
920040-24	PLUG

Part #	Description
920040-25	SPRING
920040-26	STEEL BALL 7/32"
920040-27	BACKUP RING P12
920040-28	VALVE BASE
920040-29	O-RING P16
920040-30	RELEASE VALVE BASE
920040-31	RELEASE SPRING
920040-32	O-RING P6
920040-33	PIN
920040-34	RELEASE VALVE BOLT
920040-35	PEDAL
920040-36	SCREW M5*8L
920040-37	O-RING G65
920040-38	FILTER
920040-39	ALUMINUM PUMP BASE
920040-40	SILENCER
920040-41	SPRING
920040-42	LOW SPRING
920040-43	STEEL BALL 8MM
920040-44	HIGH SPRING
920040-45	COPPER WASHER
920040-46	HIGH SCREW
920040-47	PUMP CYLINDER
920040-48	U-RING

Part #	Description
920040-49	BACKUP RING
920040-50	BUSHING
920040-51	PUMP CYLINDER UNIT
920040-52	SILENCER
920040-53	U-WASHER
920040-54	PUMP SPRING
920040-55	PISTON WASHER
920040-56	PISTON BOLT WASHER
920040-57	PISTON
920040-58	AIR STEEL TUBE
920040-59	O-RING
920040-60	PISTON B
920040-61	O-RING P21
920040-62	CHANGE PISTON
920040-63	PISTON A
920040-64	CAP
920040-65	SCREW M5*18L
920040-66	O-RING S70
920040-67	TOP CAP
920040-68	AIR INLET VALVE
920040-69	SPRING
920040-70	SCREW
920040-71	FILTER
920040-72	AIR COUPLER