

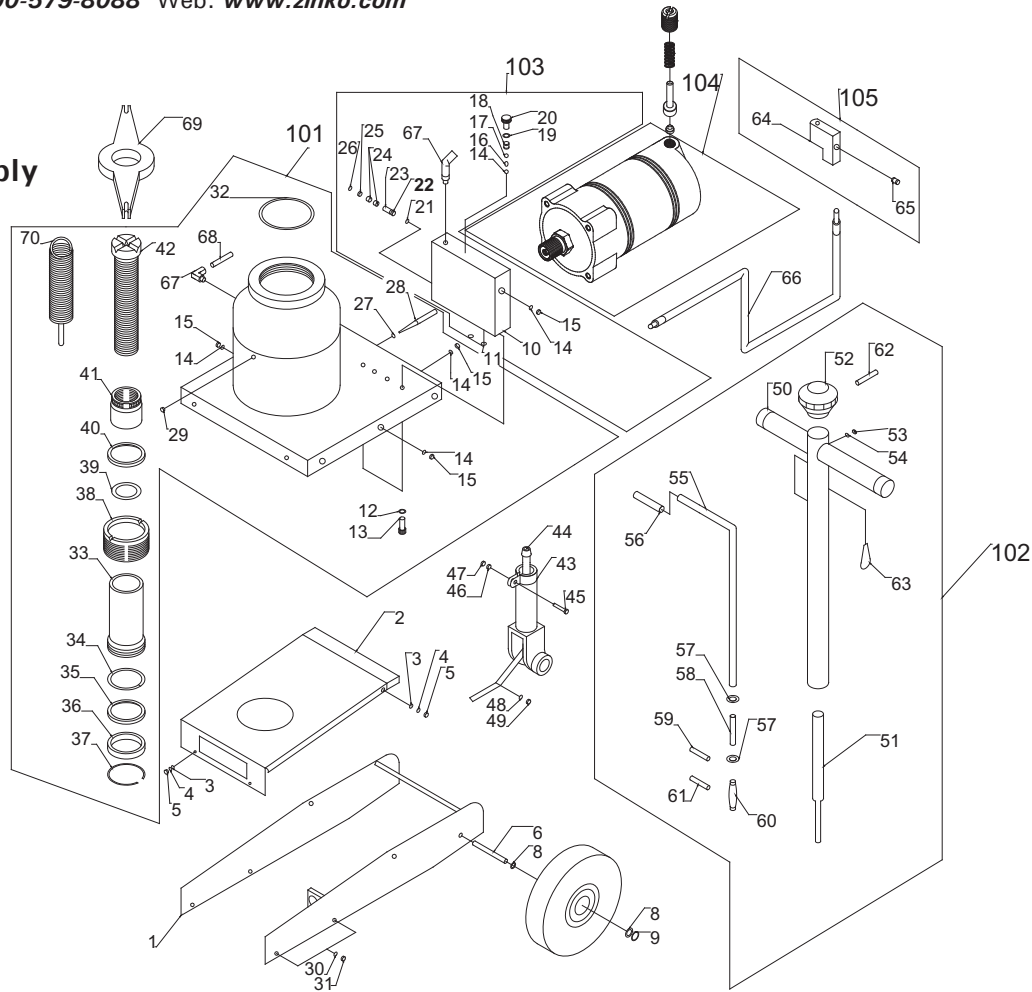


# ZATJ-22S-5 Parts Breakdown

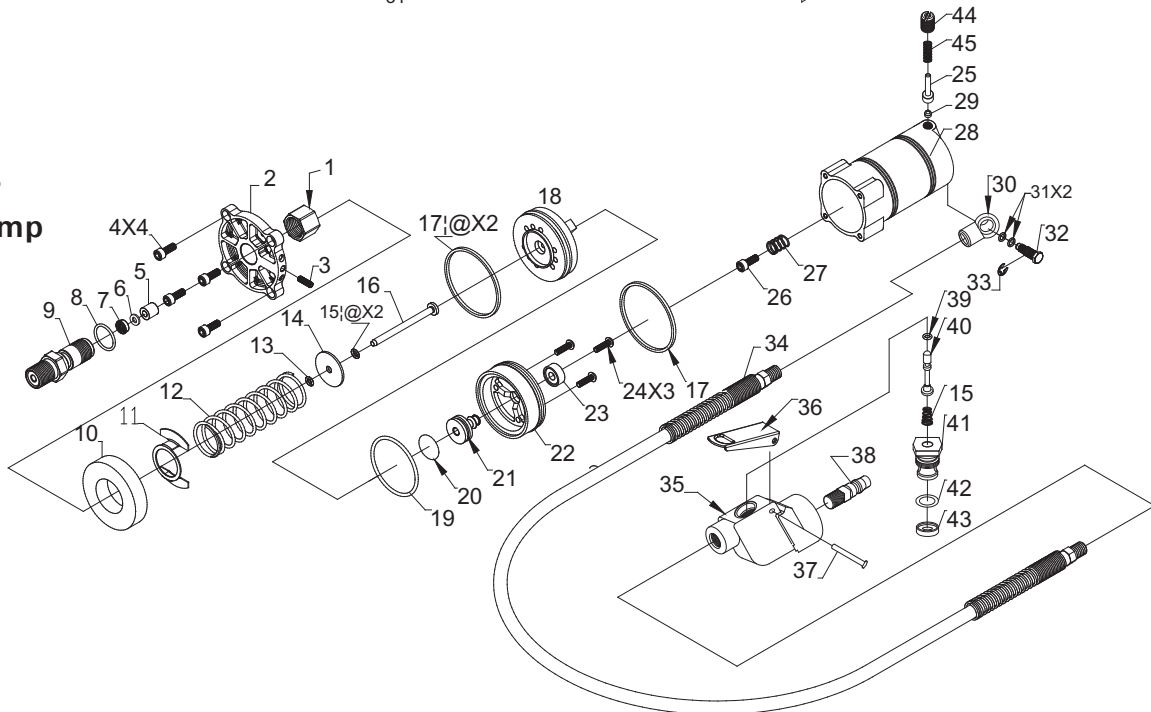
Toll Free: 1-800-579-8088 Web: [www.zinko.com](http://www.zinko.com)

REV 091807  
Page 1 of 2

## Jack Assembly



## Air Pump





# ZATJ-22S-5 Parts List

Toll Free: 1-800-579-8088 Web: [www.zinko.com](http://www.zinko.com)

REV 091807  
Page 2 of 2

## Jack Assembly

PART NO.	DESCRIPTION	PART NO.	DESCRIPTION	PART NO.	DESCRIPTION
90602204 - 1	FRAME ASSY	9060220S - 28	O-RING	9060220S - 62	SCREW
90602204 - 2	COVER	90602204 - 28	RELEASE STEM	9060220S - 63	SPRING WASHER
9060220S - 4	WASHER	9060220S - 30	OIL PLUG	9060220S - 64	LEVER
90602204 - 4	SPRING WASHER	90602204 - 30	SPRING WASHER	9060220S - 65	TUBE
90602204 - 5	BOLT	90602204 - 31	BOLT	9060220S - 66	WASHER
90602204 - 6	SHAFT	9060220S - 34	O-RING	9060220S - 67	SPRING
90602204 - 7	WHEEL	9060220S - 42	RAM	9060220S - 68	COTTER PIN
9060220S - 9	WASHER	9060220S - 43	BACKUP RING	9060220S - 69	LOCK PIN
90602204 - 9	C-RING	9060220S - 44	PACKING	9060220S - 70	COTTER PIN
90602204 - 10	VALVE BLOCK	9060220S - 91	RAM GUIDE RING	9060220S - 57	SPRING PIN
9060220S - 13	O-RING	9060220S - 92	SNAP RING	9060220S - 96	RING
9060220S - 14	SPRING WASHER	9060220S - 45	STUFFING NUT	9060220S - 71	VALVE BODY
9060220S - 15	BOLT	9060220S - 46	O-RING	9060220S - 77	AIR VALVE
9060220S - 16	VALVE BALL	9060220S - 47	DUST SEAL	9060220S - 95	AIR HOSE
9060220S - 99	SCREW	9060220S - 48	SLEEVE	9060220S - 82	ELBOW
9060220S - 17	PIECE	9060220S - 49	ADJUSTING SCREW	9060220S - 85	TUBE
9060220S - 18	VALVE BALL	9060220S - 51	HANDLE SOCKET	9060220S - 94	SPRING HANGER
9060220S - 19	VALVE SPRING-A	90602204 - 44	UNIVERSAL JOINT	9060220S - 93	RETURN SPRING
9060220S - 20	COPPER PACKING	9060220S - 54	HI-TEN BOLT	9060220S - 97	ELBOW
90602204 - 20	BOLT	9060220S - 55	WASHER	90602204 - 101	JACK ASSY
9060220S - 22	VALVE BALL	9060220S - 56	NUT	9060220S - 102	HANDLE ASSY
9060220S - 23	S.V.BALL SEAT	90602204 - 48	SPRING WASHER	90602204 - 103	VALVE BLOCK ASSY
9060220S - 24	S.V.SPRING	9060220S - 58	BOLT	9060220S - 104	AIR PUMP ASSY
9060220S - 25	S.V.ADJUSTING SCREW	9060220S - 59	HANDLE	9060220S - 105	AIR VALVE ASSY
90602204 - 25	S.V.PACKING	9060220S - 60	RELEASE ROD	9060220S - 106	REPAIR KITS (HYDRAULIC)
90602204 - 26	PUSH NUT	9060220S - 61	KNOB		

## Air Pump

PART NO.	DESCRIPTION	PART NO.	DESCRIPTION	PART NO.	DESCRIPTION
9061220P - 1	NUT	9061220P - 20	O-RING	9061220P - 39	O-RING
9061220P - 2	BOTTOM CAP	9061220P - 21	VALVE	9061220P - 40	A. V. PISTON
9061220P - 3	ADJUST PIN	9061220P - 22	PISTON A	9061220P - 41	A. V. CYLINDER
9061220P - 4	CAP SCREW	9061220P - 23	PILOT PISTON CUSHION	9061220P - 42	O-RING
9061220P - 5	SEAL RING	9061220P - 24	SCREW	9061220P - 43	GASKET
9061220P - 6	BACK-UP RING	9061220P - 25	PISTON	9061220P - 44	HEX SCREW
9061220P - 7	U-CUP RING	9061220P - 26	HEX SCREW	9061220P - 45	SPRING
9061220P - 8	O-RING	9061220P - 27	SPRING	9060120C2 - RP	REPAIR KITS (PUMP)
9061220P - 9	CYLINDER BOLT	9061220P - 28	CYLINDER		
9061220P - 10	SILENCER	9061220P - 29	PLUG		
9061220P - 11	U STYLE GASKET	9061220P - 30	SWIVEL		
9061220P - 12	SPRING	9061220P - 31	O-RING		
9061220P - 13	CUSHION	9061220P - 32	AIR INLET BOLT		
9061220P - 14	PISTON PLATE	9061220P - 33	E-RING		
9061220P - 15	O-RING	9061220P - 34	AIR HOSE		
9061220P - 16	PISTON ROD	9061220P - 35	A. V. BODY		
9061220P - 17	O-RING	9061220P - 36	LEVER		
9061220P - 18	PISTON B	9061220P - 37	PIN		
9061220P - 19	O-RING	9061220P - 38	QUICK COUPLER		