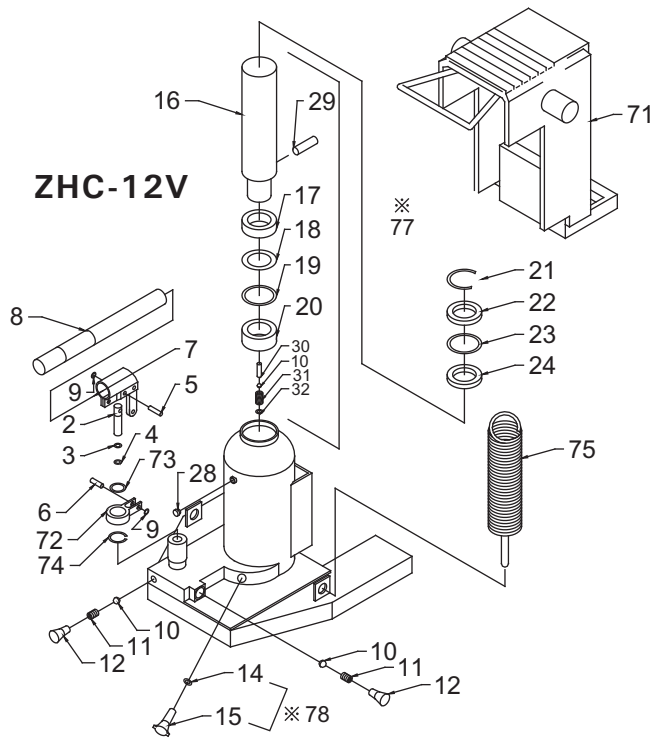
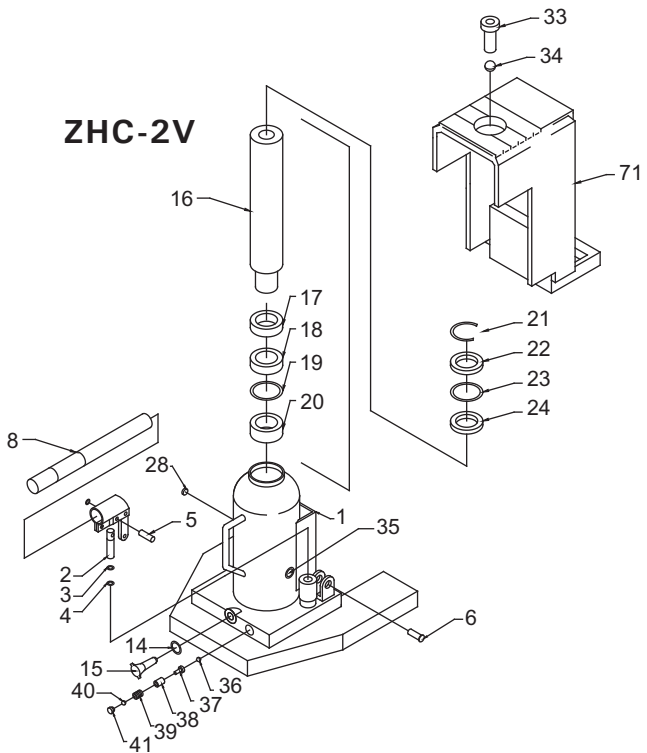
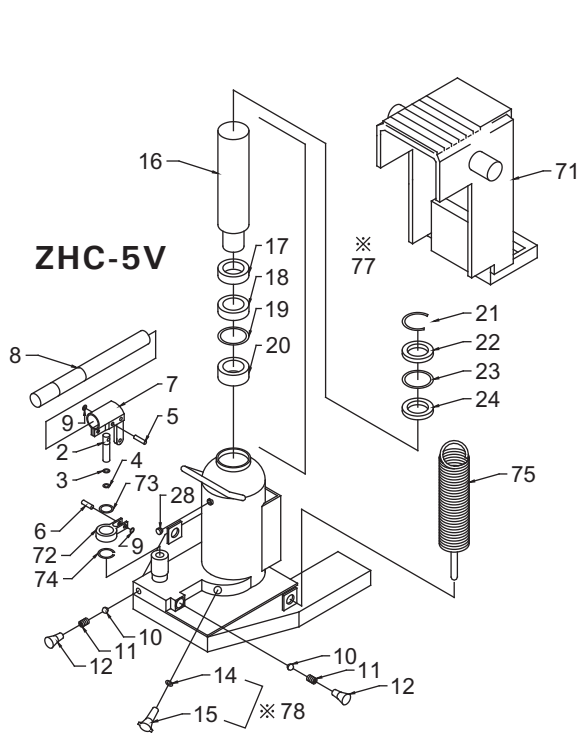




# ZHC Series Parts Breakdown

Toll Free: 1-800-579-8088 Web: [www.zinko.com](http://www.zinko.com)

REV 110207



#	Description	#	Description
1	Body Assembly	24	Stopper Ring
2	Pump Plunger	28	#* Oil Plug
3	#* Pump Backup Ring	29	Horizontal Pin
4	#* Pump Packing	30	Vertical Pin
5	# Pump Plunger Pin	31	Ram Spring
6	# Pump Stay Pin	32	Ram Spring Stopper Ring
7	Handle Socket Assy	34	# Safety Valve Ball
8	Handle	35	# S.V. Ball Seat
9	# Snap Ring/ Push Nut	36	# Safety Valve Spring
10	# Valve Ball	37	# Adj. Screw Safety Valve
11	# Valve Spring	38	# Safety Valve Plug
12	# Valve Plug	39	# Push Nut
14	#* Release Packing	71	Hanger
15	# Release Assembly	72	# Pump Base
16	Ram	73	# Pump Stopper A
17	Ram Packing Seat	74	# Pump Stopper B
18	* Ram Backup Ring	75	# Return Spring
19	* Ram Packing	77	Ram Assembly
20	Ram Guide Ring	78	Release Assembly
21	Snap Ring	RP	Repair Kits (All *)
22	Stuffing Ring		
23	#* Cylinder Packing		

# Same parts for 5V & 10V.