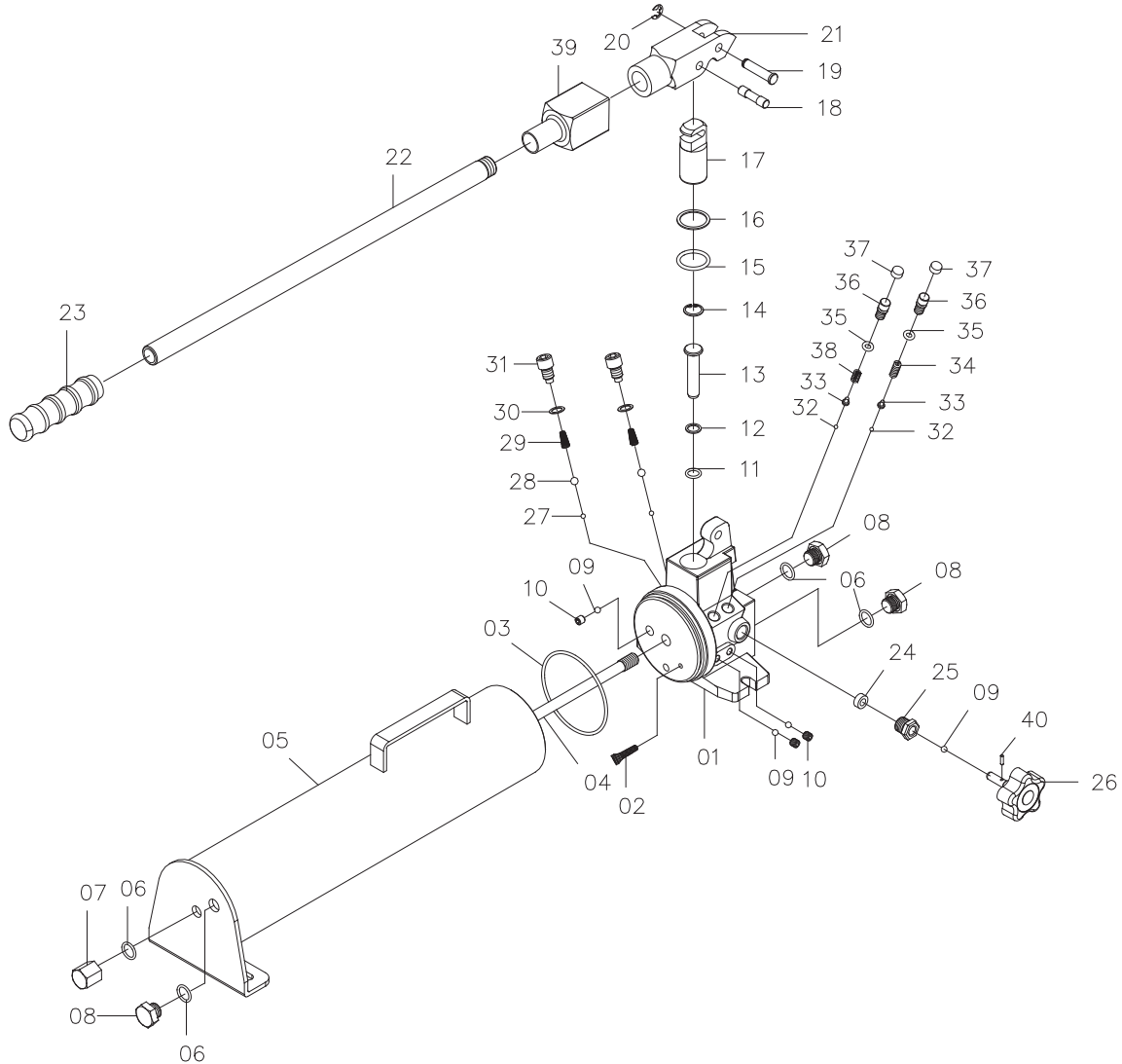




ZHP-120 Parts Breakdown

Toll Free: 1-800-579-8088 Web: www.zinko.com

REV 101607



#	Description
1	Pump Housing
2	Oil Filter
3	O-Ring
4	Screw
5	Reservoir
6	O-Ring
7	Nipple
8	Screw
9	Check Ball
10	Set Screw

#	Description
11	O-Ring
12	Backup Ring
13	Pump Piston
14	Snap Ring
15	O-Ring
16	Backup Ring
17	Pump Piston
18	Piston Pin
19	Yoke Pin
20	Retaining Pin

#	Description
21	Yoke
22	Handle
23	Handle Grip
24	Oil Seal
25	Couplers
26	Release Valve
27	Check Ball
28	Check Ball
29	Spring
30	Washer

#	Description
31	Valve Cover Screw
32	Check Ball
33	Spring End Cap
34	Long Sep. Screw
35	O-Ring
36	Ovld. Cover Spring
37	Plastic Cap
38	Short Sep. Spring
39	Yoke Cover
40	Pin