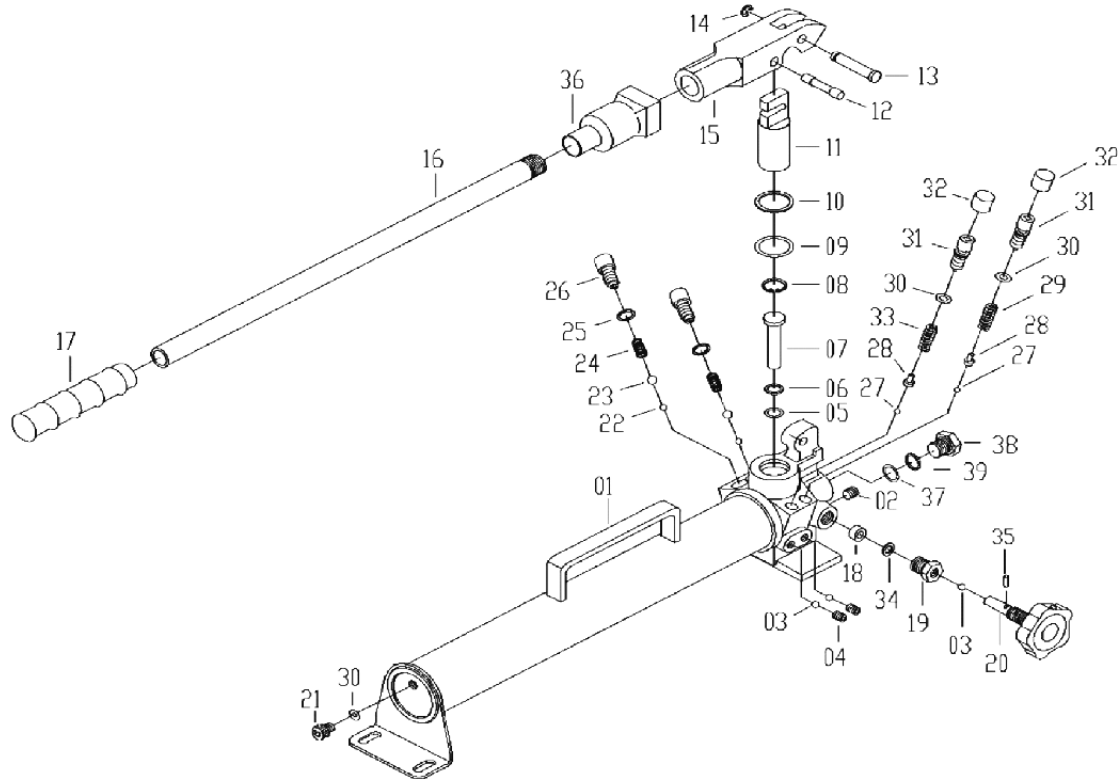




ZHP-20 Parts Breakdown

Toll Free: 1-800-579-8088 Web: www.zinko.com

REV 101607



Part #	Description
920030-1	Pump Housing/Reservoir
920030-2	Screw
920030-3	Check Ball
920030-4	Set Screw
920030-5	O-Ring
920030-6	Backup Ring
920030-7	Pump Piston
920030-8	Snap Ring
920030-9	O-Ring
920030-10	Backup Ring
920030-11	Pump Piston
920030-12	Piston Ring
920030-13	Yoke Pin
920030-14	Retaining Ring
920030-15	Yoke
920030-16	Handle
920030-17	Handle Ring
920030-18	Oil Seal
920030-19	Couplers
920030-20	Release Valve

Part #	Description
920030-21	Air Release Screw
920030-22	Check Ball
920030-23	Check Ball
920030-24	Spring
920030-25	Washer
920030-26	Valve Cover Screw
920030-27	Check Ball
920030-28	Spring End Cap
920030-29	Long Separator Spring
920030-30	O-Ring
920030-31	Overload Cover Screw
920030-32	Cap
920030-33	Short Separator Spring
920030-34	Washer
920030-35	Pin
920030-36	Yoke Cover
920030-37	O-Ring
920030-38	Screw
920030-39	Backup Ring
920030-40	Seal Kit