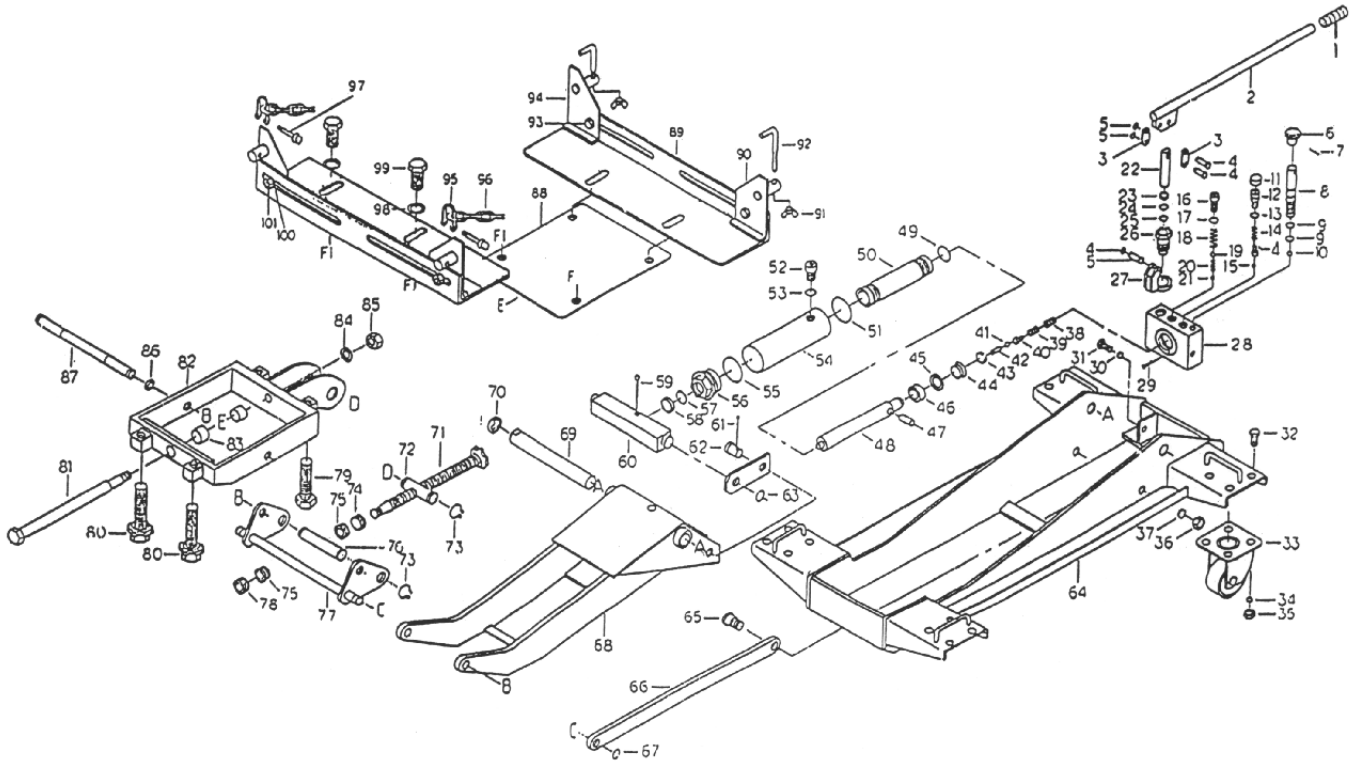




ZM-1500T Parts Breakdown

Toll Free: 1-800-579-8088 Web: www.zinko.com

REV 100207



#	Description
1	Handle Grip
2	Handle
3	Link
4	Pin
5	Snap Ring
6	Release Knob
7	Expansion Pin
8	Release Valve
9	Release O-Ring
10	Bypass Check Ball
11	Plastic Cap
12	Overload Adj. Screw
13	O-Ring
14	Overload Spring
15	Suction Port Check Ball
16	Valve Port Screw
17	Valve Port Washer
18	Valve Port Spring
19	Steel Ball
20	Spring
21	Steel Check Ball
22	Pump Piston
23	Pump Wiper Seal
24	Pump Backup Ring
25	Pump O-Ring

#	Description
26	Pump Housing
27	Swivel Collar
28	Hyd. Block Assy (Complete)
29	Oil Filter
30	Lock Washer
31	Screw
32	Screw
33	Caster Wheel Assy
34	Lock Washer
35	Nut
36	Guide Arm Nut
37	Guide Arm Washer
38	Bypass Screw
39	Bypass Spring
40	Spring Guide
41	Bypass Check Ball
42	Bypass Valve
43	Snap Ring
44	Cup Seal
45	Backup Ring
46	Bypass Bushing
47	Bypass Limit Pin
48	Ram
49	Cylinder Nut O-Ring
50	Piston Rod

#	Description
51	Cylinder Nut O-Ring
52	Air Release Screw
53	O-Ring
54	Reservoir
55	Cylinder Nut O-Ring
56	Cylinder Nut
57	Cylinder Nut Wiper Ring
58	Cylinder Nut Oil Seal
59	Trunion Cotter Pin
60	Trunion
61	Trunion Cotter Pin
62	Pin
63	Snap Ring
64	Frame Assembly
65	Screw
66	Guide Arm
67	Snap Ring
68	Elevator Arm Assy
69	Arm Pivot Pin
70	Retaining Ring
71	Front/Back Tilt Screw
72	Trunion
73	Snap Ring
74	Nut
75	"T" Bearing

#	Description
76	Pin
77	Saddle Base Support
78	Nut
79	Screw
80	Screw
81	Screw
82	Saddle Base
83	Spacer
84	Lock Washer
85	Nut
86	Retaining Ring
87	Pin
88	Flat Plate
89	Saddle Angle 1
90	Saddle Angle 2
91	Wing Nut
92	Hook Bolt
93	Screw
94	Saddle Angle 3
95	Chain Connector
96	Chain
97	Connector Screw
98	Washer
99	Screw
100	Washer
101	Nut