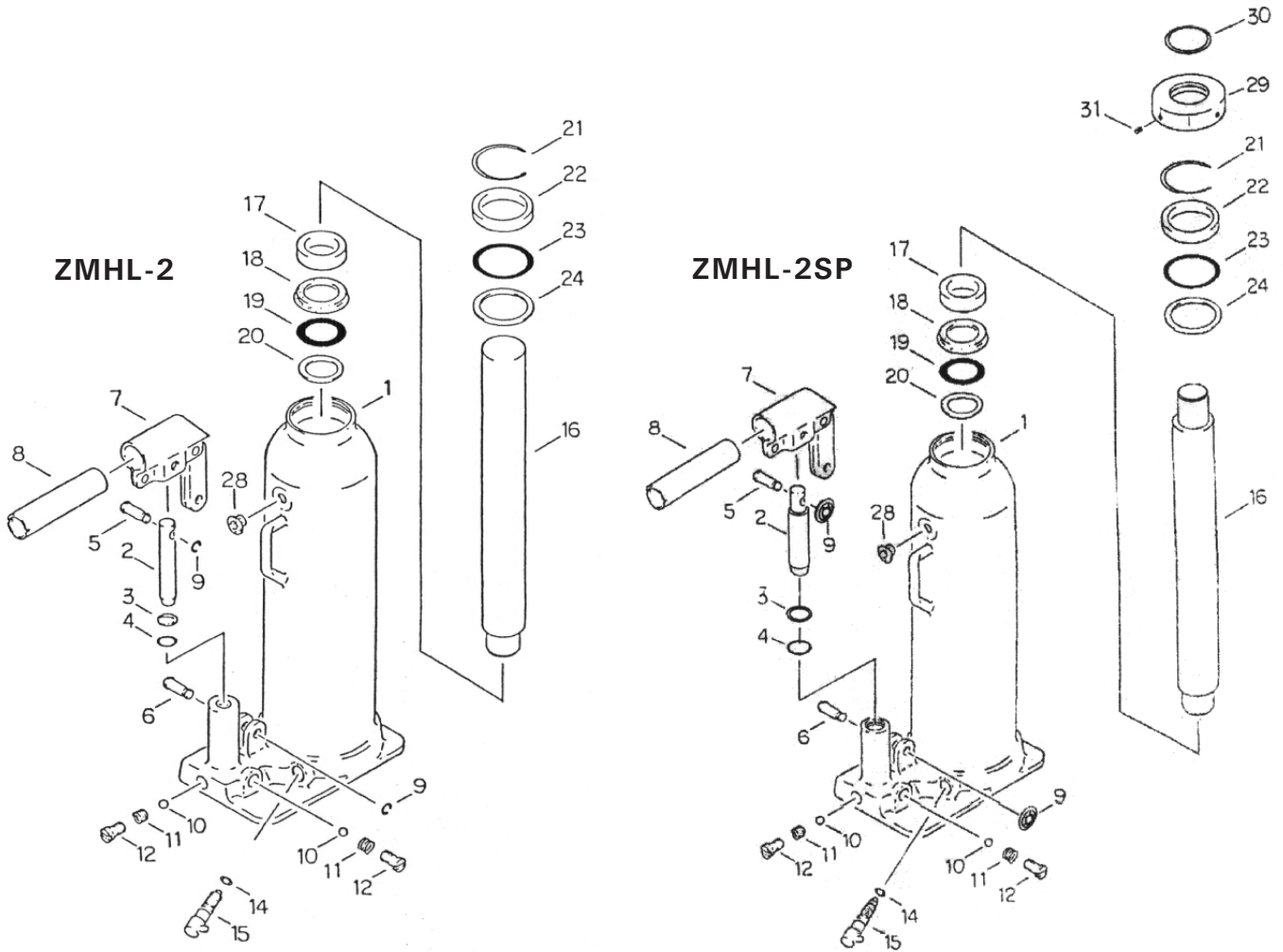




# ZMHL-2 & ZMHL-2SP Parts Breakdown

Toll Free: 1-800-579-8088 Web: [www.zinko.com](http://www.zinko.com)

REV 110207



#	Description
1	Body Assembly
2	Pump Plunger
3	*Pump Backup Ring
4	*Pump Packing
5	Pump Plunger Pin
6	Pump Stay Pin
7	Handle Socket Assembly
8	Handle
9	Snap Ring/Push Pin
10	Valve Ball
11	Valve Spring
12	Valve Plug
14	*Release Packing
15	Release Assembly

#	Description
16	Ram
17	Ram Packing Seat
18	*Ram Backup Ring
19	*Ram Packing
20	Ram Packing Stopper
21	Snap Ring
22	Stuffing Ring
23	*Cylinder Packing
24	Stopper Ring
28	*Oil Plug
29	Cap Ring
30	Dust O-Ring
31	Pin
RP	Repair Part Kit (All * Above)