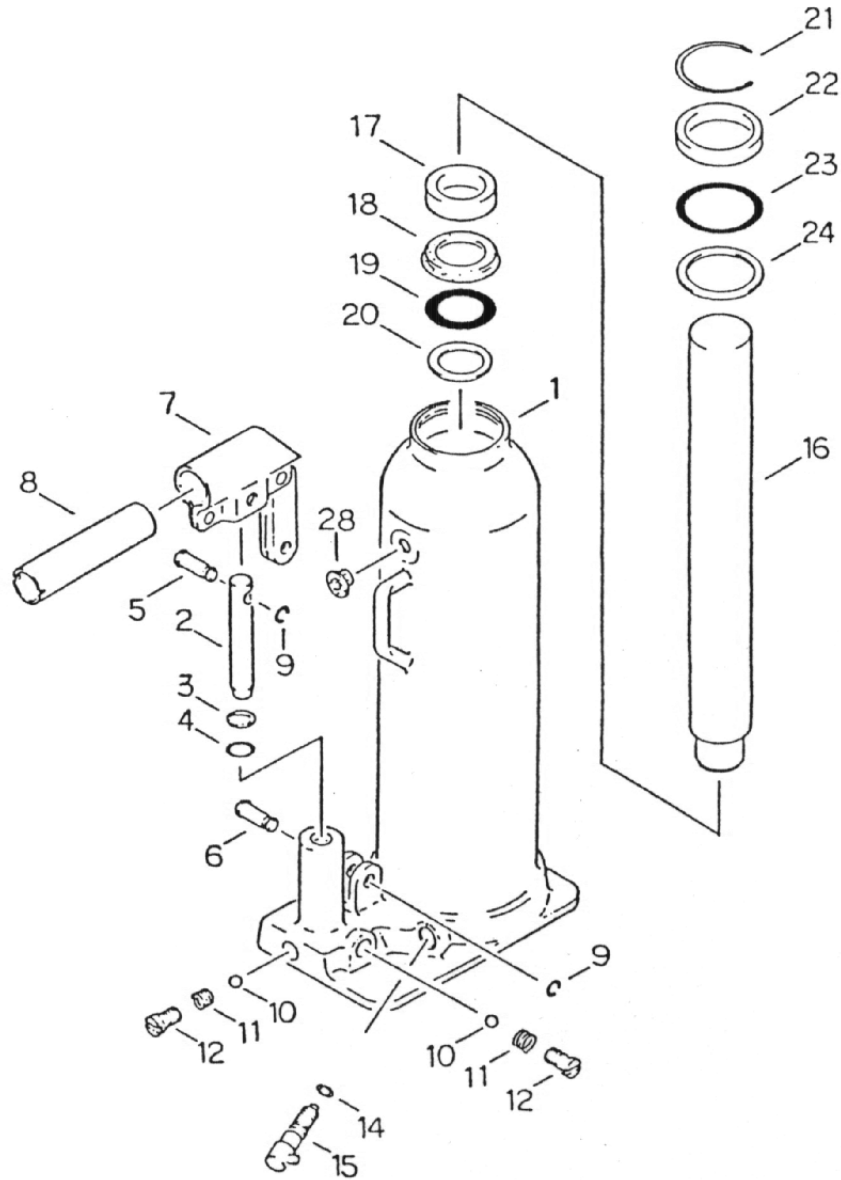




# ZMHL-2 Parts Breakdown

Toll Free: 1-800-579-8088 Web: www.zinko.com

REV 091807



#	Description
1	BODY ASSY
2	PUMP PLUNGER
3	PUMP BACKUP RING*
4	PUMP PACKING*
5	PUMP PLUNGER PIN
6	PUMP STAY PIN
7	HANDLE SOCKET ASSY
8	HANDLE
9	SNAP RING/PUSH PIN

#	Description
10	VALVE BALL
11	VALVE SPRING
12	VALVE PLUG
14	RELEASE PACKING*
15	RELEASE ASSY
16	RAM
17	RAM PACKING SHEET
18	RAM BACKUP RING*
19	RAM PACKING SHEET*

#	Description
20	RAM PACKING STOPPER
21	SNAP RING
22	STUFFING RING
23	CYLINDER PACKING*
24	STOPPER RING
28	OIL PLUG*
RP	REPAIR KITS (ALL *)