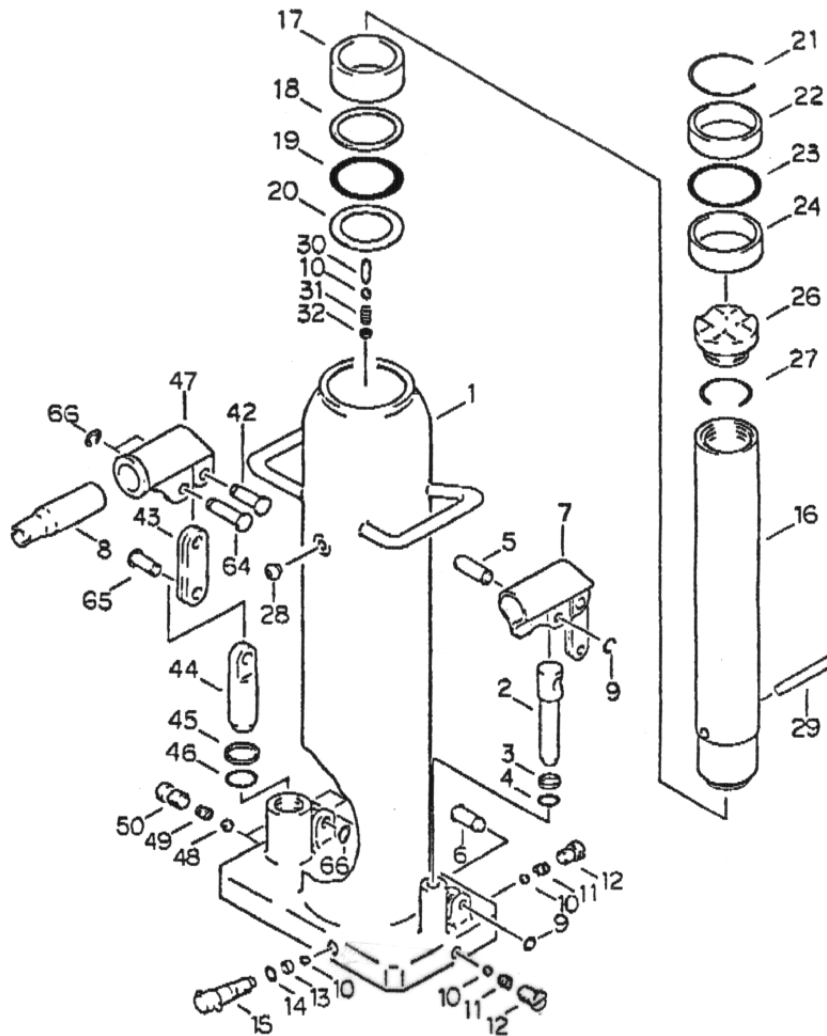




ZMHL-20 Parts Breakdown

Toll Free: 1-800-579-8088 Web: www.zinko.com

REV 091807



Part #	Description
1. 910200	BODY
2. 910200	PUMP PLUNGER
3. 910200	PUMP BACKUP RING
4. 910200	PUMP PACKING
5. 910200	PUMP PLUNGER PIN
6. 910200	PUMP STAY PIN
7. 910200	HANDLE SOCKET ASSY
8. 910200	HANDLE
9. 910200	SNAP RING/PUSH PIN
10. 910200	VALVE BALL
11. 910200	VALVE SPRING
12. 910200	VALVE PLUG
13. 910200	RELEASE STOPPER RING
14. 910200	RELEASE PACKING
15. 910200	RELEASE ASSY

Part #	Description
16. 910200	RAM
17. 910200	RAM PACKING SHEET
18. 910200	RAM BACKUP RING
19. 910200	RAM PACKING SHEET
20. 910200	RAM PACKING STOPPER
21. 910200	SNAP RING
22. 910200	STUFFING RING
23. 910200	CYLINDER PACKING
24. 910200	STOPPER RING
26. 910200	SUPPORTING PLATE
27. 910200	SNAP RING
28. 910200	OIL PLUG
29. 910200	HORIZONTAL PIN
30. 910200	VERTICAL PIN
31. 910200	RAM SPRING

Part #	Description
32. 910200	RAM
42. 910200	RAM PACKING SHEET
43. 910200	RAM BACKUP RING
44. 910200	RAM PACKING SHEET
45. 910200	RAM PACKING STOPPER
46. 910200	SNAP RING
47. 910200	STUFFING RING
48. 910200	CYLINDER PACKING
49. 910200	STOPPER RING
50. 910200	SUPPORTING PLATE
64. 910200	SNAP RING
65. 910200	OIL PLUG
66. 910200	HORIZONTAL PIN