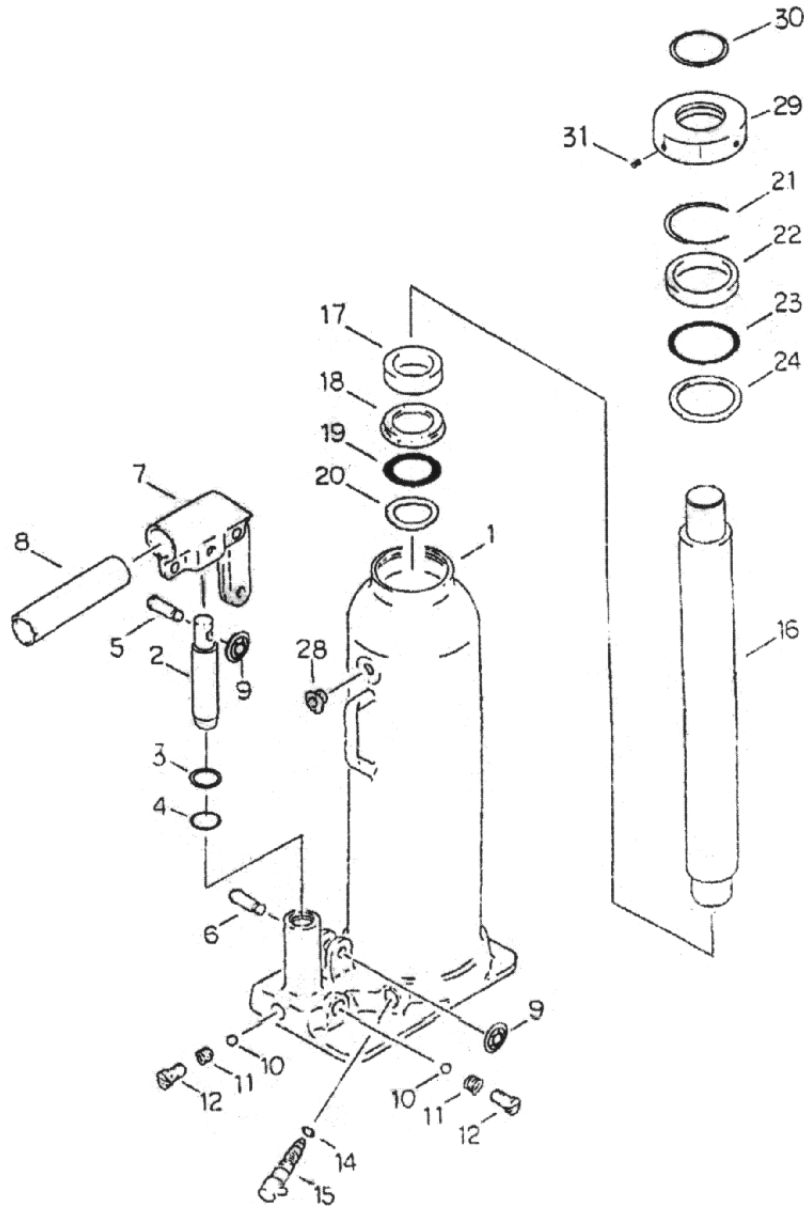




ZMHL-2SP Parts Breakdown

Toll Free: 1-800-579-8088 Web: www.zinko.com

REV 091807



#	Description	#	Description	#	Description
1	BODY ASSY	11	VALVE SPRING	22	STUFFING RING
2	PUMP PLUNGER	12	VALVE PLUG	23	CYLINDER PACKING*
3	PUMP BACKUP RING*	14	RELEASE PACKING*	24	STOPPER RING
4	PUMP PACKING*	15	RELEASE ASSY	28	SUPPORTING PLATE*
5	PUMP PLUNGER PIN	16	RAM	29	SNAP RING
6	PUMP STAY PIN	17	RAM PACKING SHEET	30	OIL PLUG
7	HANDLE SOCKET ASSY	18	RAM BACKUP RING*	31	HORIZONTAL PIN
8	HANDLE	19	RAM PACKING SHEET*	RP	REPAIR KITS (ALL *)
9	SNAP RING/PUSH PIN	20	RAM PACKING STOPPER		
10	VALVE BALL	21	SNAP RING		