

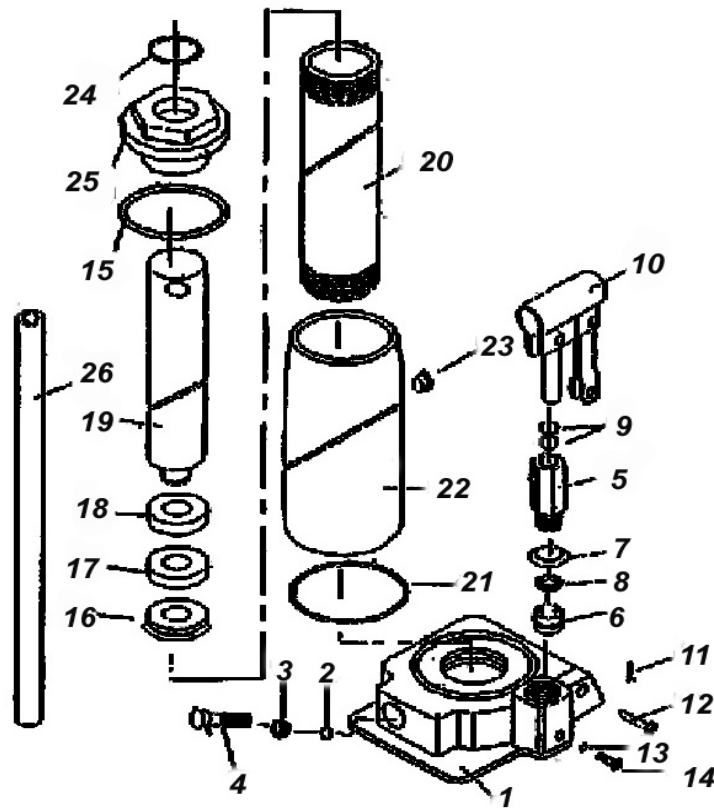


ZINKO Hydraulic Jack

P O Box 4903
 Ontario, CA 91730
 Phone:(909) 989-9526 Fax:(909) 989-1724

Operation Instructions

for: ZMHL-4SP & ZMHL-8SP
 Long Ram Jacks Parts List



No.	Description	ZMHL-4SP	ZMHL-8SP
F1	Flat Base	910040T- F1	910080T- F1
R1	Round Base	910040T- R1	910080T- R1
02	1/4 Steel Ball	910040T- 02	910080T- 02
03	Oil Seal for release Valve	* 910040T- 03	910080T- 03
04	Release Vale Spindle	910040T- 04	910080T- 04
05	Valve Set	910040T- 05	910080T- 05
06	Pump Cylinder O Ring	* 910040T- 06	910080T- 06
07	Pump Cylinder Cup Washer	910040T- 07	910080T- 07
08	Pump Cylinder	910040T- 08	910080T- 08
09	Pump O Ring& Back up ring	* 910040T- 09	910080T- 09
10	Handle Socket Assembly	910040T- 10	910080T- 10
11	Set Pin	910040T- 11	910080T- 11
12	Link Pin	910040T- 12	910080T- 12
13	O Ring	* 910040T- 13	910080T- 13
14	Filter Screw	910040T- 14	910080T- 14

No.	Description	ZMHL-4SP	ZMHL-8SP
15	Oil Chamber Washer Top	910040T- 15	910080T- 15
16	Cup Ring	* 910040T- 16	910080T- 16
17	Back Up Ring	* 910040T- 17	910080T- 17
18	Collar Ram	910040T- 18	910080T- 18
19	Ram	910040T- 19	910080T- 19
20	Cylinder	910040T- 20	910080T- 20
21	Oil Chamber Washer (bottom)	* 910040T- 21	910080T- 21
22	Oil Chamber	910040T- 22	910080T- 22
23	Oil Plug	910040T- 23	910080T- 23
24	Ram Sealing O Ring	910040T- 24	910080T- 24
25	Top Nut	910040T- 25	910080T- 25
26	Handle	910040T- 26	910080T- 26
	Repair Part Kit	910040T- RP	910080T- RP