

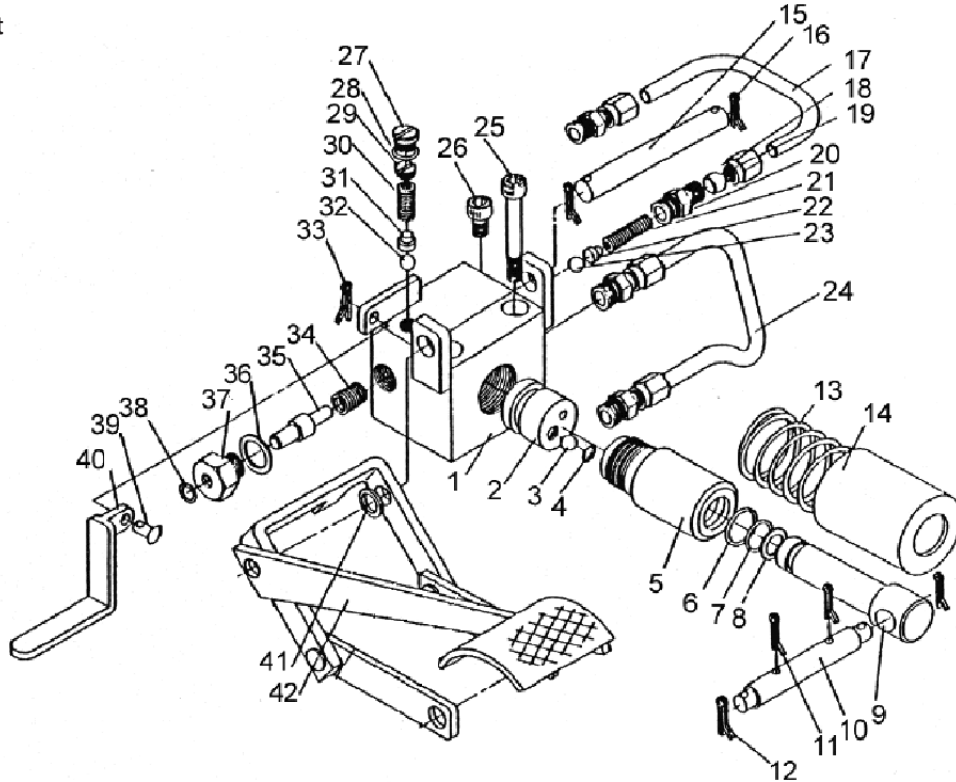


# ZML-800 Parts Breakdown

Toll Free: 1-800-579-8088 Web: [www.zinko.com](http://www.zinko.com)

REV 100107  
Page 1 of 2

## Pump Unit



### Pump Unit

Part #	Description
9140008-P1	Pump Body
9140008-P2	Valve
9140008-P3	Ball
9140008-P4	Stop Ring
9140008-P5	Pump Plunger
9140008-P6	*O-Ring
9140008-P7	*O-Ring
9140008-P8	*Backup Ring
9140008-P9	Piston
9140008-P10	Pin
9140008-P11	Pin
9140008-P12	Pin
9140008-P13	Spring
9140008-P14	Piston Case
9140008-P15	Pin
9140008-P16	Pin

Part #	Description
9140008-P17	Hydraulic Pipe
9140008-P18	Nipple
9140008-P19	Nipple
9140008-P20	Nipple
9140008-P21	Spring
9140008-P22	Stop Pin
9140008-P23	Ball
9140008-P24	Hydraulic Pipe
9140008-P25	Socket Ball
9140008-P26	Socket Ball
9140008-P27	Safety Valve
9140008-P28	*O-Ring
9140008-P29	Stop Nut
9140008-P30	Spring
9140008-P31	Safety Valve
9140008-P32	Ball

Part #	Description
9140008-P33	Pin
9140008-P34	Spring
9140008-P35	Spring Hanger
9140008-P36	Backup Ring
9140008-P37	Nut
9140008-P38	*O-Ring
9140008-P39	Pin
9140008-P40	Down Pedal
9140008-P41	Washer
9140008-P42	Pedal Assy
9140008-P-A	Piston Assy
9140008-P-B	Piston Packing Seat
9140008-P-C	Pressure Valve Set
9140008-P SK	Seal Kits

\* Included in Seal Kits

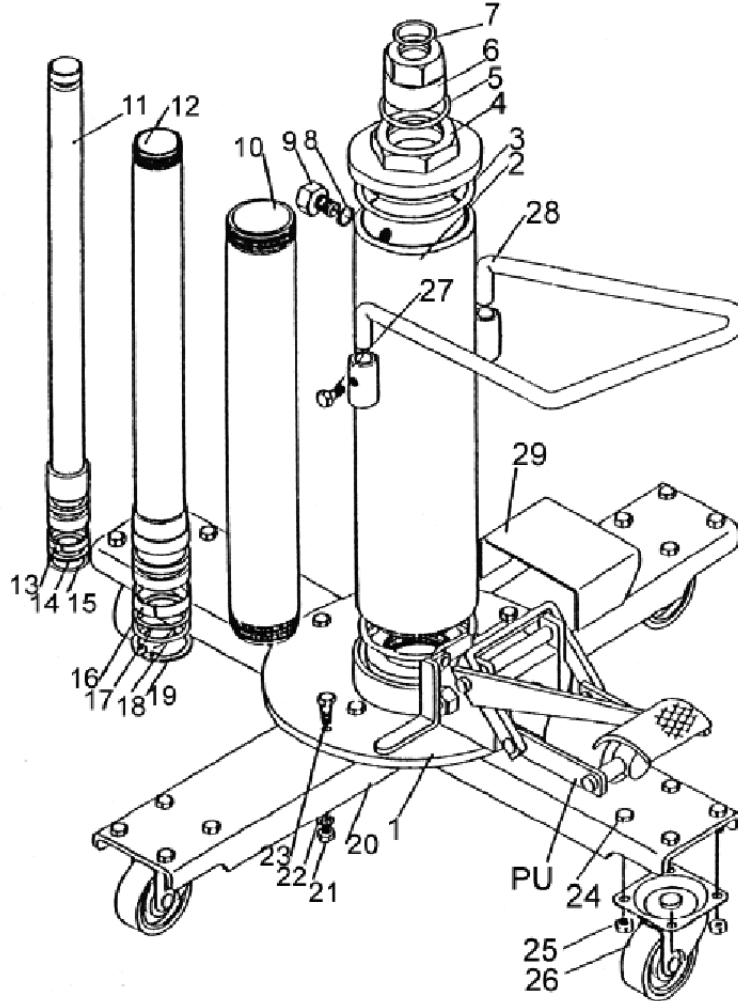


# ZML-800 Parts Breakdown

Toll Free: 1-800-579-8088 Web: [www.zinko.com](http://www.zinko.com)

REV 100107  
Page 2 of 2

## Frame Unit



## Frame Unit

Part #	Description
9140008-PU	Pump Unit Assy
9140008-1	Cylinder Body Assy
9140008-2	Oil Tank
9140008-3	*O-Ring
9140008-4	Nut
9140008-5	*O-Ring
9140008-6	Nut
9140008-7	*O-Ring
9140008-8	*O-Ring
9140008-9	Air Valve
9140008-10	Cylinder

Part #	Description
9140008-11	Main Piston
9140008-12	Cylinder Piston
9140008-13	*Tape O-Ring
9140008-14	*Backup Ring
9140008-15	*O-Ring
9140008-16	*Tape O-Ring
9140008-17	*Backup Ring
9140008-18	*O-Ring
9140008-19	*Stop Ring
9140008-20	Legs
9140008-21	Nut

Part #	Description
9140008-22	Washer
9140008-23	Screw
9140008-24	Screw
9140008-25	Nut
9140008-26	Wheels
9140008-27	Screw
9140008-28	Grip
9140008-29	Case
9140008-SK	Seal Kits

\* Included in Seal Kits