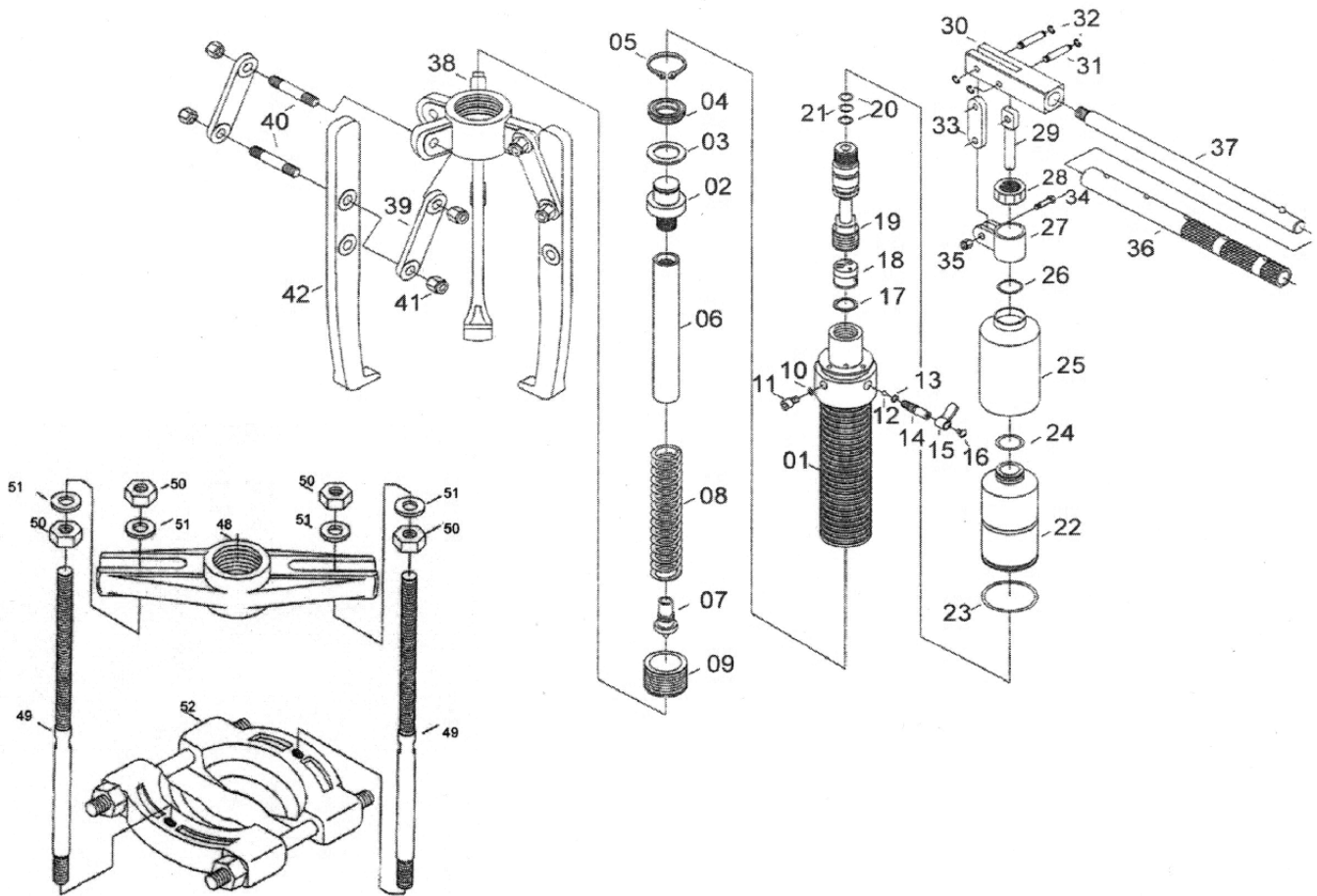




ZPM Series Parts Breakdown

Toll Free: 1-800-579-8088 Web: www.zinko.com

REV 101707
Page 1 of 2





ZPM Series Parts Breakdown

Toll Free: 1-800-579-8088 Web: www.zinko.com

REV 101707
Page 2 of 2

#	Description	ZPM-42	ZPM-420		ZPM-83	ZPM-820		ZPM-123	ZPM-1220		ZPM-204	ZPM-304
			ZPM-04	ZPM-410		ZPM-08	ZPM-810		ZPM-12	ZPM-1210		
1	Puller Body		926042-1			926083-1			926123-1		926204-1	926304-1
2	Puller Piston Rod Head		926042-2			926083-2			926123-2		926204-2	926304-2
3	Backup Ring		926042-3			926083-3			926123-3		926204-3	926304-3
4	U-Cup Seal		926042-4			926083-4			926123-4		926204-4	926304-4
5	Retaining Ring		926042-5			926083-5			926123-5		926204-5	926304-5
6	Puller Piston Rod		926042-6			926083-6			926123-6		926204-6	926304-6
7	Removable Cone Assy		926042-7			926083-7			926123-7		926204-7	926304-7
8	Compression Spring		926042-8			926083-8			926123-8		926204-8	926304-8
9	Rod Wiper		926042-9			926083-9			926123-9		926204-9	926304-9
10	O-Ring		926042-10			926083-10			926123-10		926204-10	926304-10
11	Oil Fill Screw		926042-11			926083-11			926123-11		926204-11	926304-11
12	Steel Ball		926042-12			926083-12			926123-12		926204-12	926304-12
13	O-Ring		926042-13			926083-13			926123-13		926204-13	926304-13
14	Relief Valve Screw		926042-14			926083-14			926123-14		926204-14	926304-14
15	Relief Valve Knob		926042-15			926083-15			926123-15		926204-15	926304-15
16	Pixing Screw		926042-16			926083-16			926123-16		926204-16	926304-16
17	Copper Washer		926042-17			926083-17			926123-17		926204-17	926304-17
18	Safety Valve		926042-18			926083-18			926123-18		926204-18	926304-18
19	Pump Piston Housing		926042-19			926083-19			926123-19		926204-19	926304-19
20	O-Ring		926042-20			926083-20			926123-20		926204-20	926304-20
21	Backup Ring		926042-21			926083-21			926123-21		926204-21	926304-21
22	Reservoir Bladder		926042-22			926083-22			926123-22		926204-22	926304-22
23	O-Ring		926042-23			926083-23			926123-23		926204-23	926304-23
24	O-Ring		926042-24			926083-24			926123-24		926204-24	926304-24
25	Bladder Housing		926042-25			926083-25			926123-25		926204-25	926304-25
26	O-Ring		926042-26			926083-26			926123-26		926204-26	926304-26
27	Swivel Clevis		926042-27			926083-27			926123-27		926204-27	926304-27
28	Retaining Nut		926042-28			926083-28			926123-28		926204-28	926304-28
29	Pump Piston Rod		926042-29			926083-29			926123-29		926204-29	926304-29
30	Handle Clevis		926042-30			926083-30			926123-30		926204-30	926304-30
31	Clevis Pin		926042-31			926083-31			926123-31		926204-31	926304-31
32	Retaining Ring		926042-32			926083-32			926123-32		926204-32	926304-32
33	Link Connector		926042-33			926083-33			926123-33		926204-33	926304-33
34	Clevis Screw		926042-34			926083-34			926123-34		926204-34	926304-34
35	Anti-Loosen Nut		926042-35			926083-35			926123-35		926204-35	926304-35
36	Solid Handle Lever		926042-36			926083-36			926123-36		926204-36	926304-36
37	Handle Rod		926042-37			926083-37			926123-37		926204-37	926304-37
38	Puller Crosshead	-	926004-38	-	-	926008-38	-	-	926012-38	-	-	-
39	Puller Jaw Strap	-	926004-39	-	-	926008-39	-	-	926012-39	-	-	-
40	Jaw Screw	-	926004-40	-	-	926008-40	-	-	926012-40	-	-	-
41	Anti-Loosen Nut	-	926004-41	-	-	926008-41	-	-	926012-41	-	-	-
42	Puller Jaw	-	926004-42	-	-	926008-42	-	-	926012-42	-	-	-
43	*Safety Blanket	-	926004-43	-	-	926008-43	-	-	926012-43	-	-	-
44	*PE Case	-	926004-44	-	-	926008-44	-	-	926012-44	-	-	-
45	Repair Kit	-	926004-45	-	-	926008-45	-	-	926012-45	-	-	-
48	Puller Crosshead	-	-	926420-48	-	-	926810-48	-	-	9261210-48	-	-
49	Threaded Stud	-	-	926420-49	-	-	926810-49	-	-	9261210-49	-	-
50	Hex Nut	-	-	926420-50	-	-	926810-50	-	-	9261210-50	-	-
51	Washer	-	-	926420-51	-	-	926810-51	-	-	9261210-51	-	-
52	Attachment	-	-	926420-52	-	-	926810-52	-	-	9261210-52	-	-
53	*PE Case	-	-	926420-52	-	-	926810-53	-	-	9261210-53	-	-

* Not Shown Here