



Air Hydraulic Bottle Jack

Model: ZABJ-22PA / ZABJ-22PB

Capacity: 22 Ton



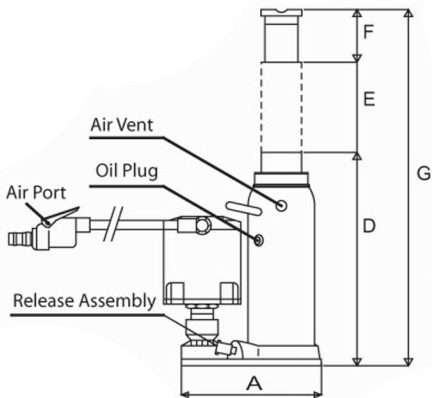
ZABJ-22PA

Usage:

Turn ordinary manual bottle jack power into air-hydraulic power. When connected to your shop's air lines these versatile jacks can safely deliver lifting power with the push of a button. Great for lifting of heavy cars, trucks and many other applications.

Special Features:

1. Welded steel construction reduces metal fatigue allowing for a long service life.
2. Forged steel base increases resistance to high pressure and increases durability.
3. Oil bypass system prevents the lifting ram from overextending.
4. Safety valve protects hydraulic system from over-load damage.
5. In-line filter screen located in air valve prohibits the entrance of contamination into the air hydraulic system.
6. Comes with an air vent valve to stop pressure from bleeding in reservoir.
7. Heat treated extension screw and release valve adds extra strength and extend service life.
8. Extremely strong and well-designed swivel head bolt with 360° movement to prevent hose binding.
9. Spring coil protectors on both ends of air hose to prevent punctures.
10. Rust preventive coating on ram and extension screw.
11. Convenient push button flap type air operation valve.



- Air Vent and Oil Plug



- Forged Steel Base

↑
Always Open
Air Vent Before
Use



ZABJ-22PB

Model Number	Capacity (Ton)	Lifting Time By Air Supply (Sec.)		Air Pressure Range (psi)	Dimensions (in)					Weight (lbs)
		No Load	Load		Base A	Min. Height D	Lift E	Screw Ext. F	Max. Height G	
ZABJ-22PA	22	50	195	80 - 140	7 x 4.75	10.50	6	3	19.50	36
ZABJ-22PB	22	35	195	80 - 140	7 x 4.5	7.25	3.75	1.5	12.50	26